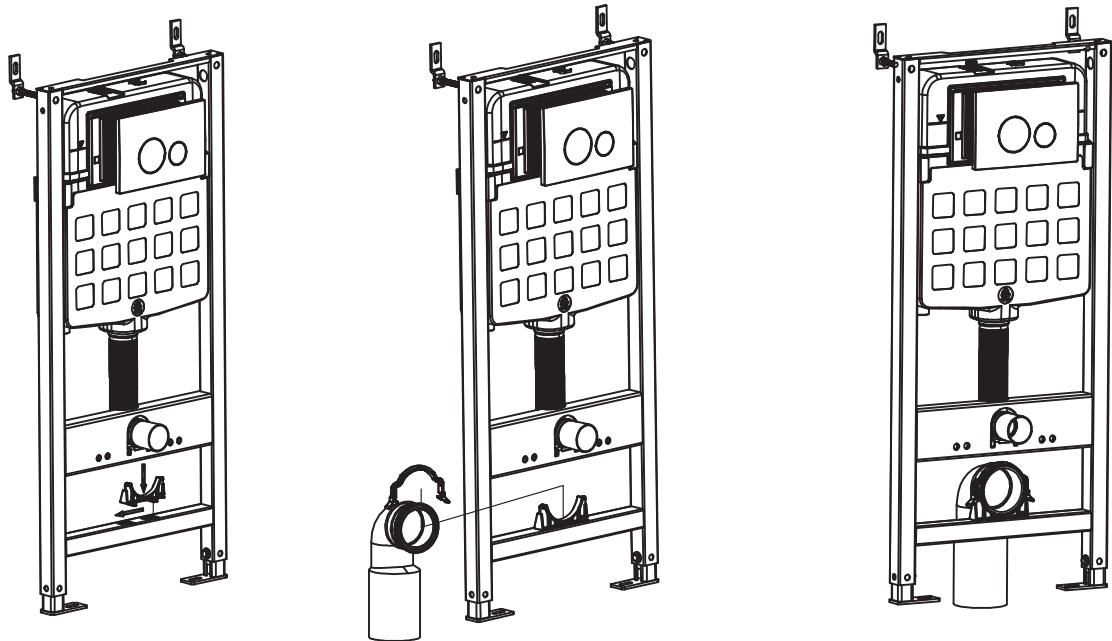
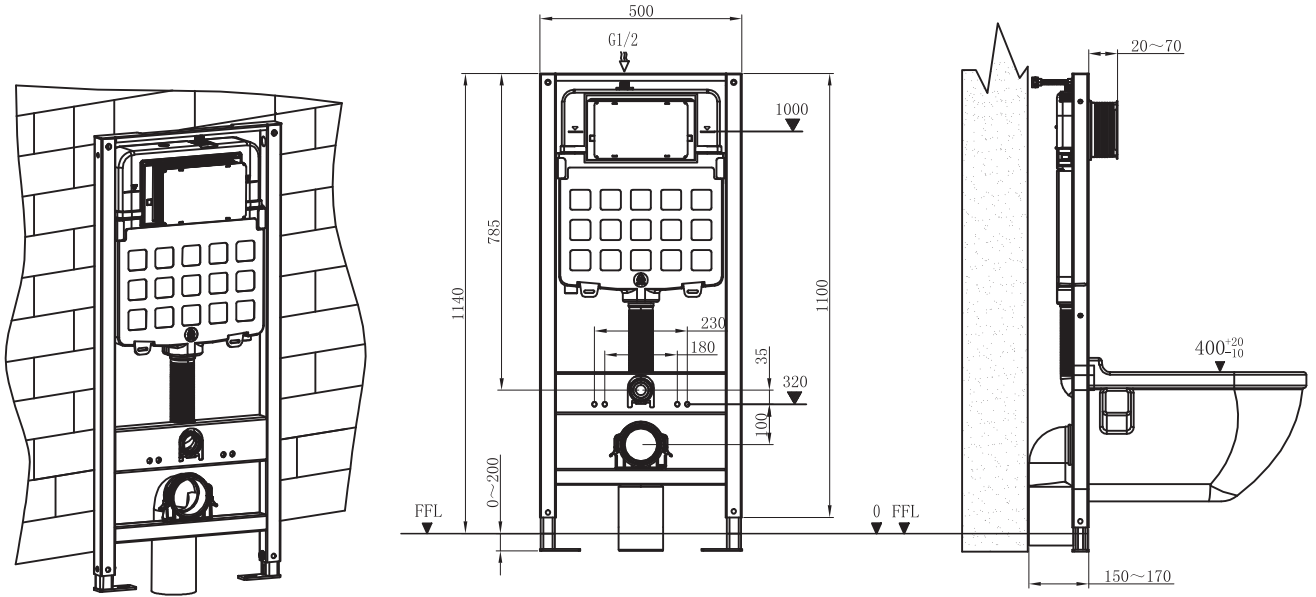


Installation Manul

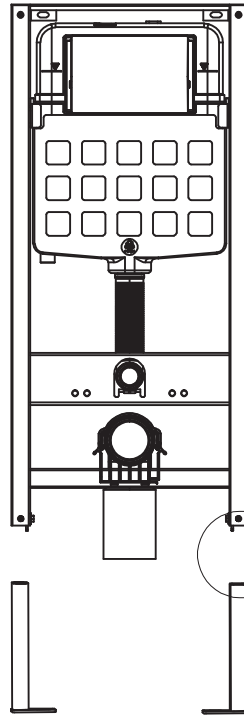
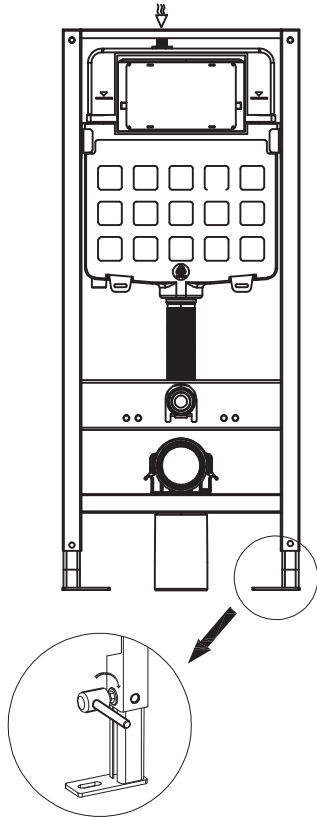
Dimensions & Adjustment



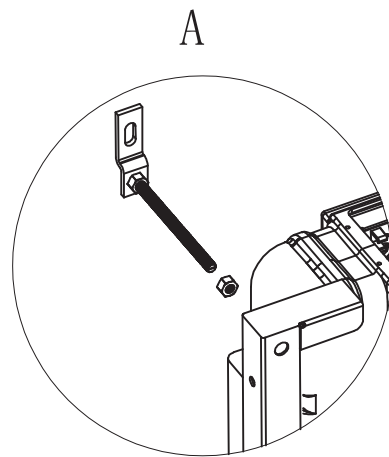
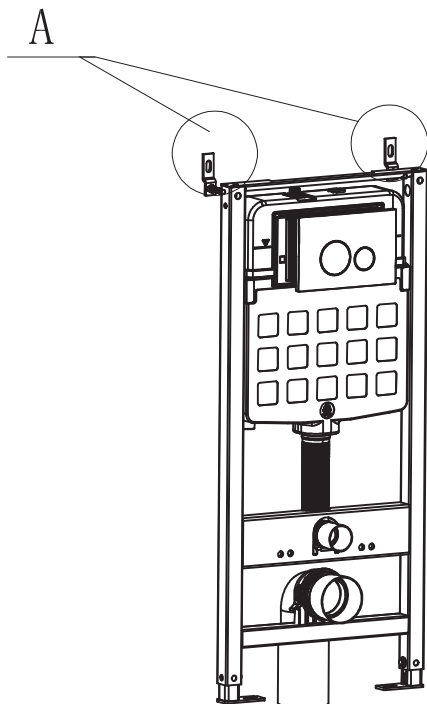
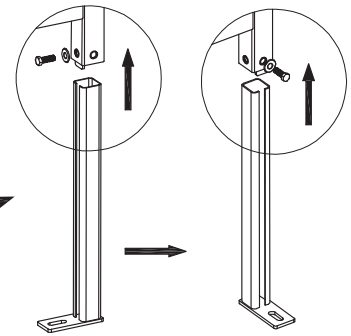
Note:
All dimensions in mm;
FFL=Finished Floor Level

Installation Manul

Height adjustment



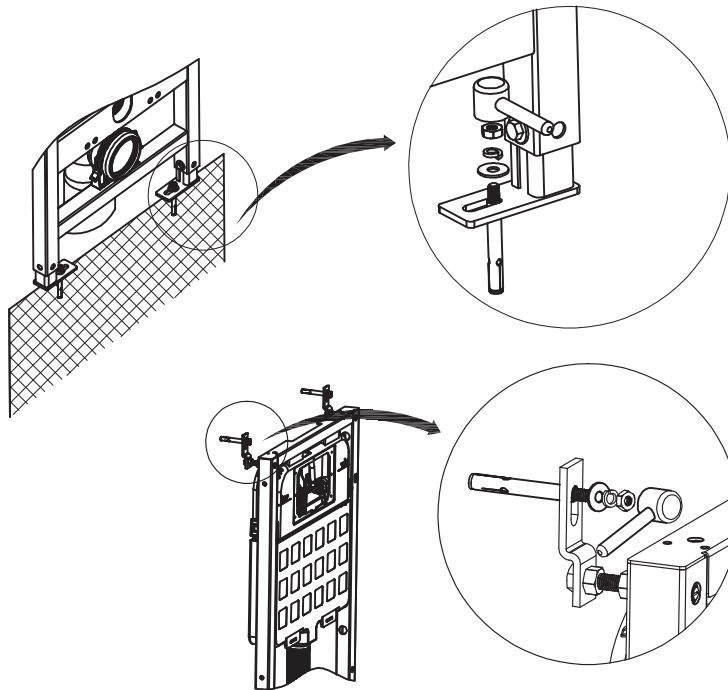
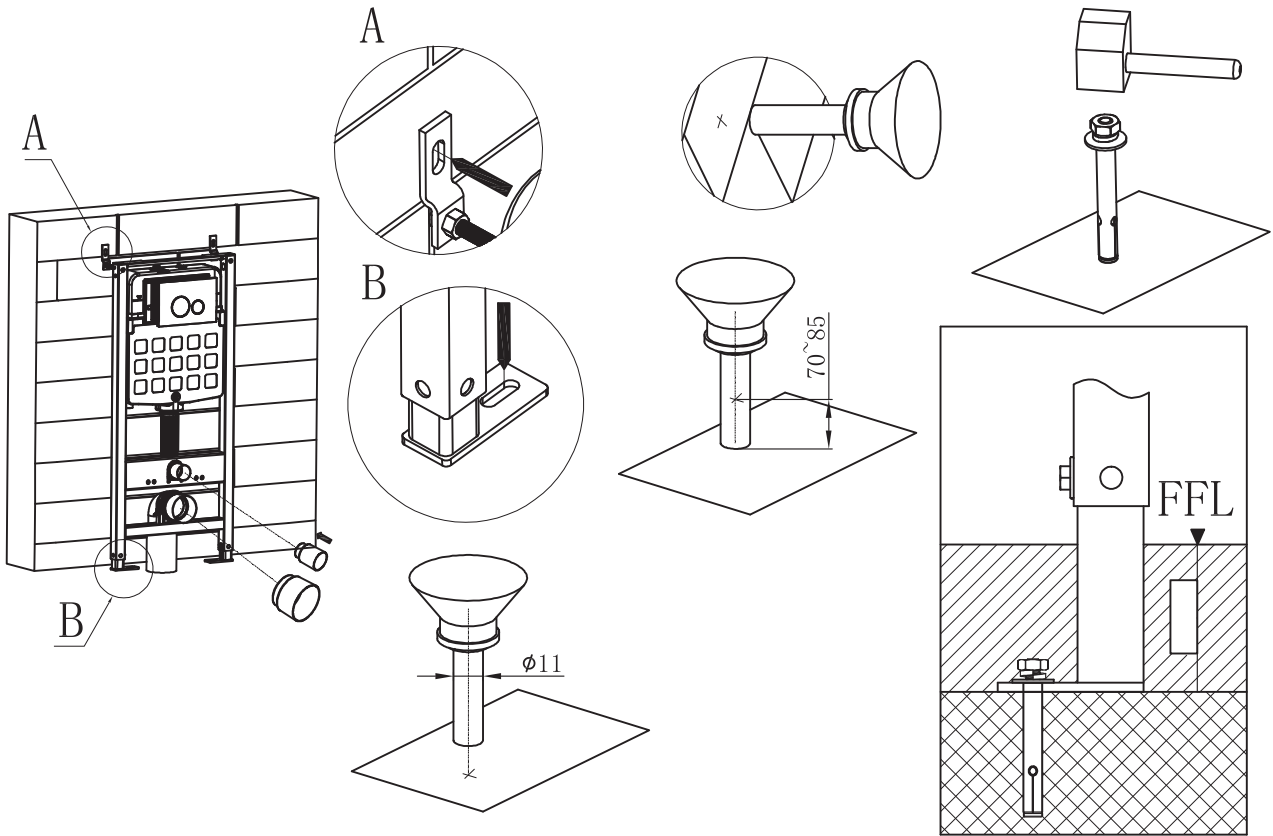
Legs(right or left) have four installing position



Note:
All dimensions in mm;
FFL=Finished Floor Level

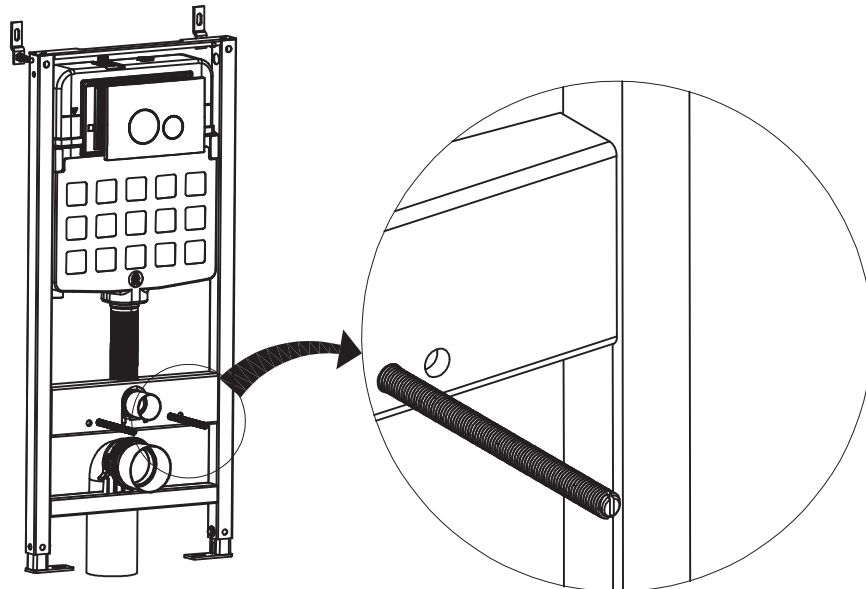
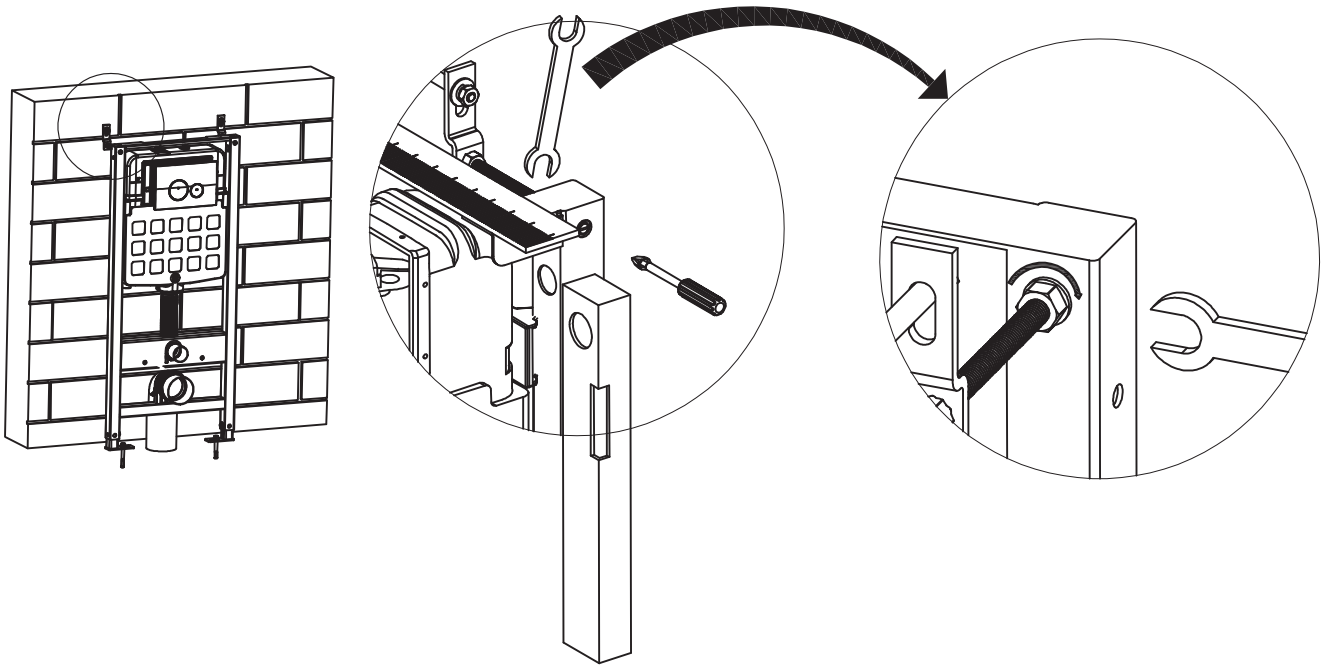
Installation Manul

Fixing to backwall



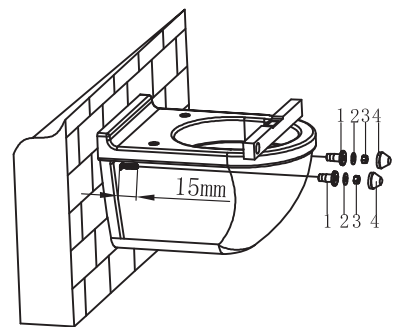
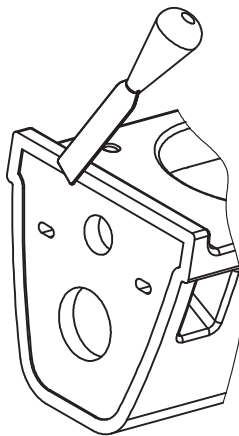
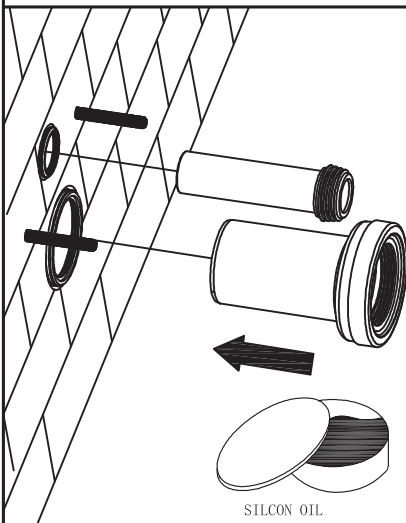
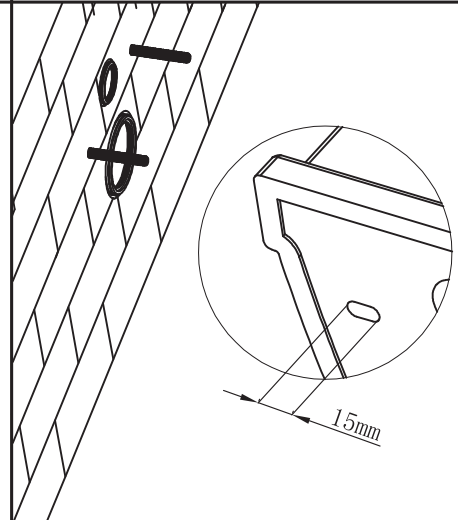
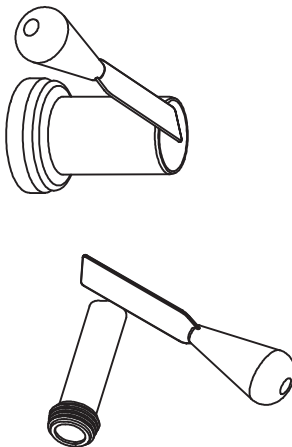
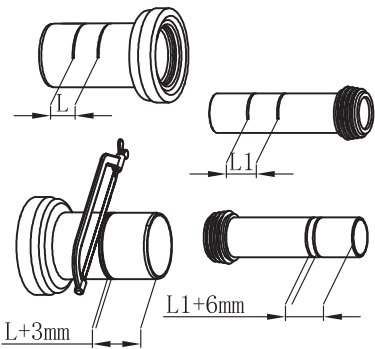
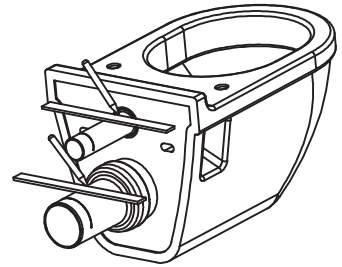
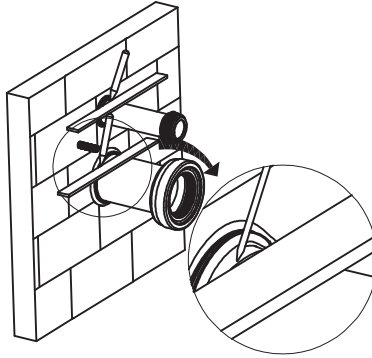
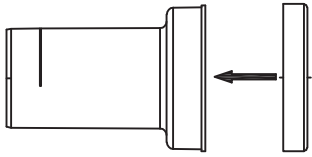
Note:
All dimensions in mm;
FFL=Finished Floor Level

Installation Manul

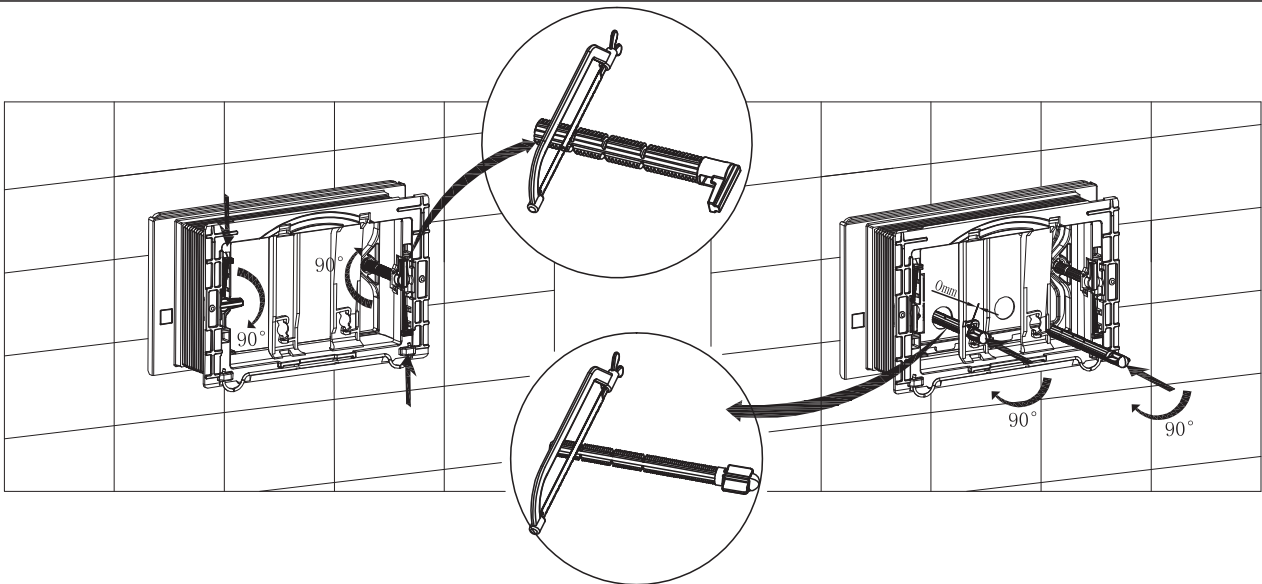
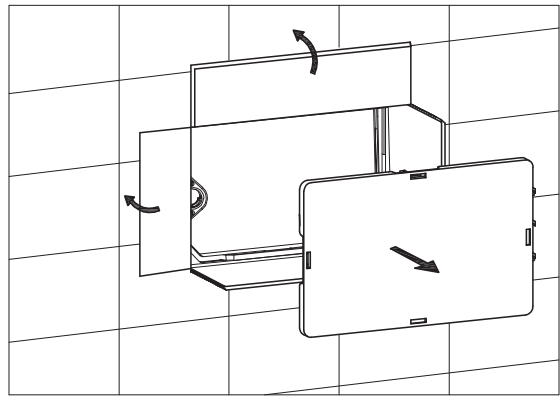
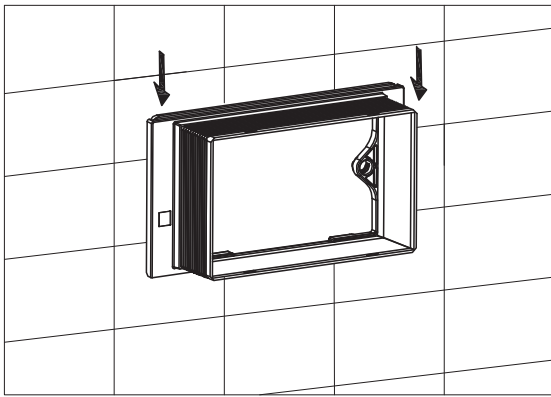
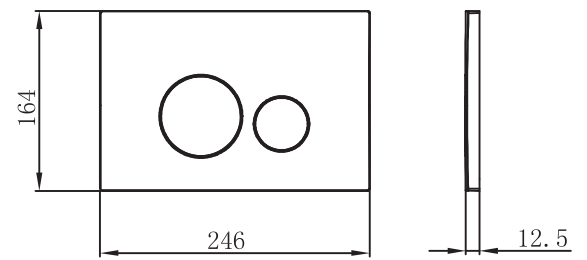
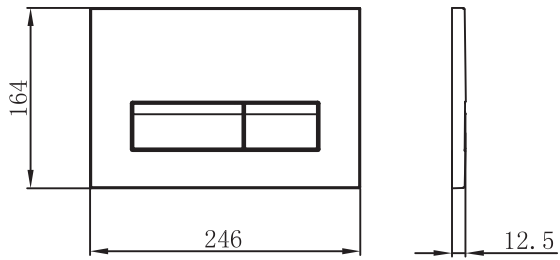


Note:
All dimensions in mm;
FFL=Finished Floor Level

Installation Manul



Installation Manul



Installation Manul

