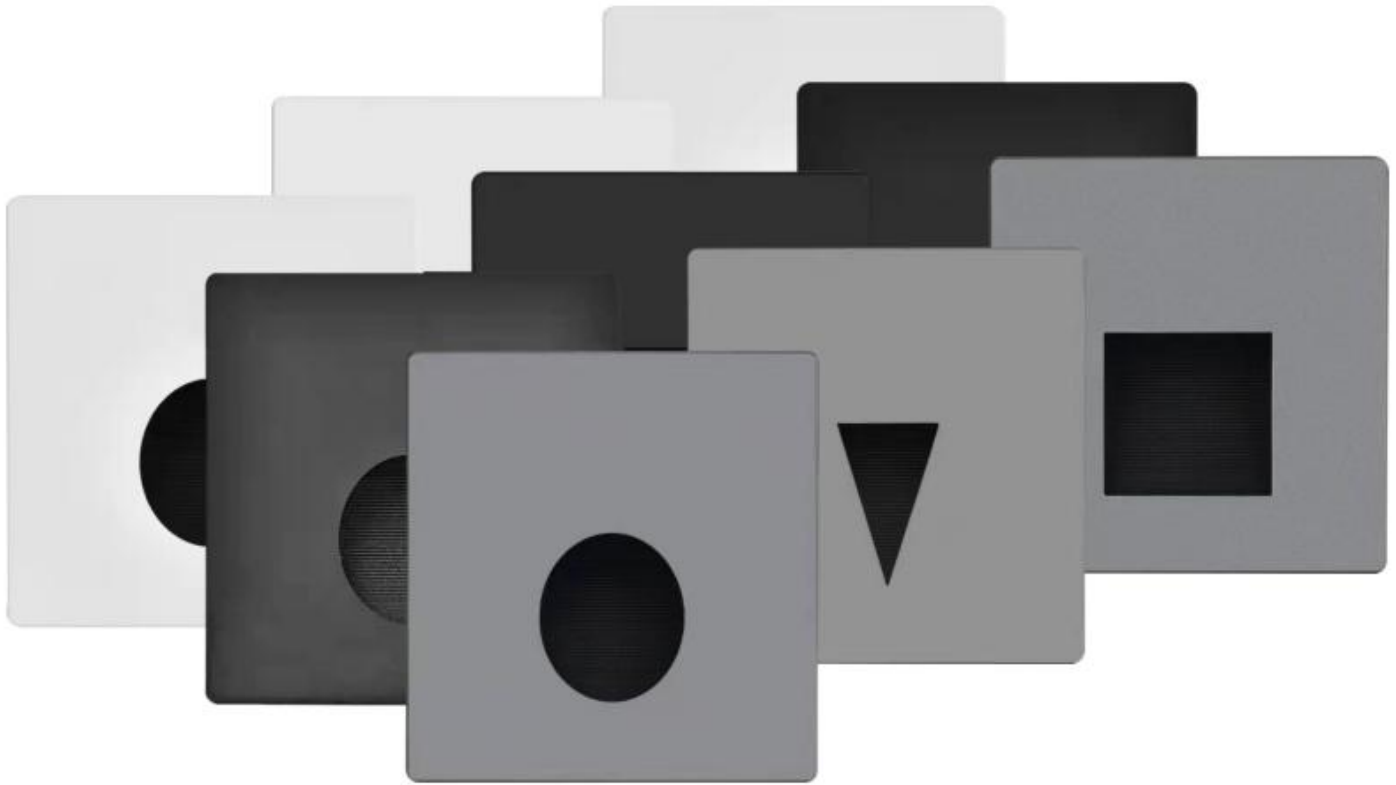


LED FLOOR LIGHT

Q8 triangle/01;Q6 circular/01;Q9 square/01



COLOUR: WHITE/BLACK/GREY



PC REBOUND
GLUE



REFLECTIVE
FLEXIBLE LIGHT



SAFE AND
STABLE



ENVIRONMENTAL
PROTECTION



LONG LIFE



NO SPLASH



ENERGY
SAVING



FLAME
RETARDANT

Features

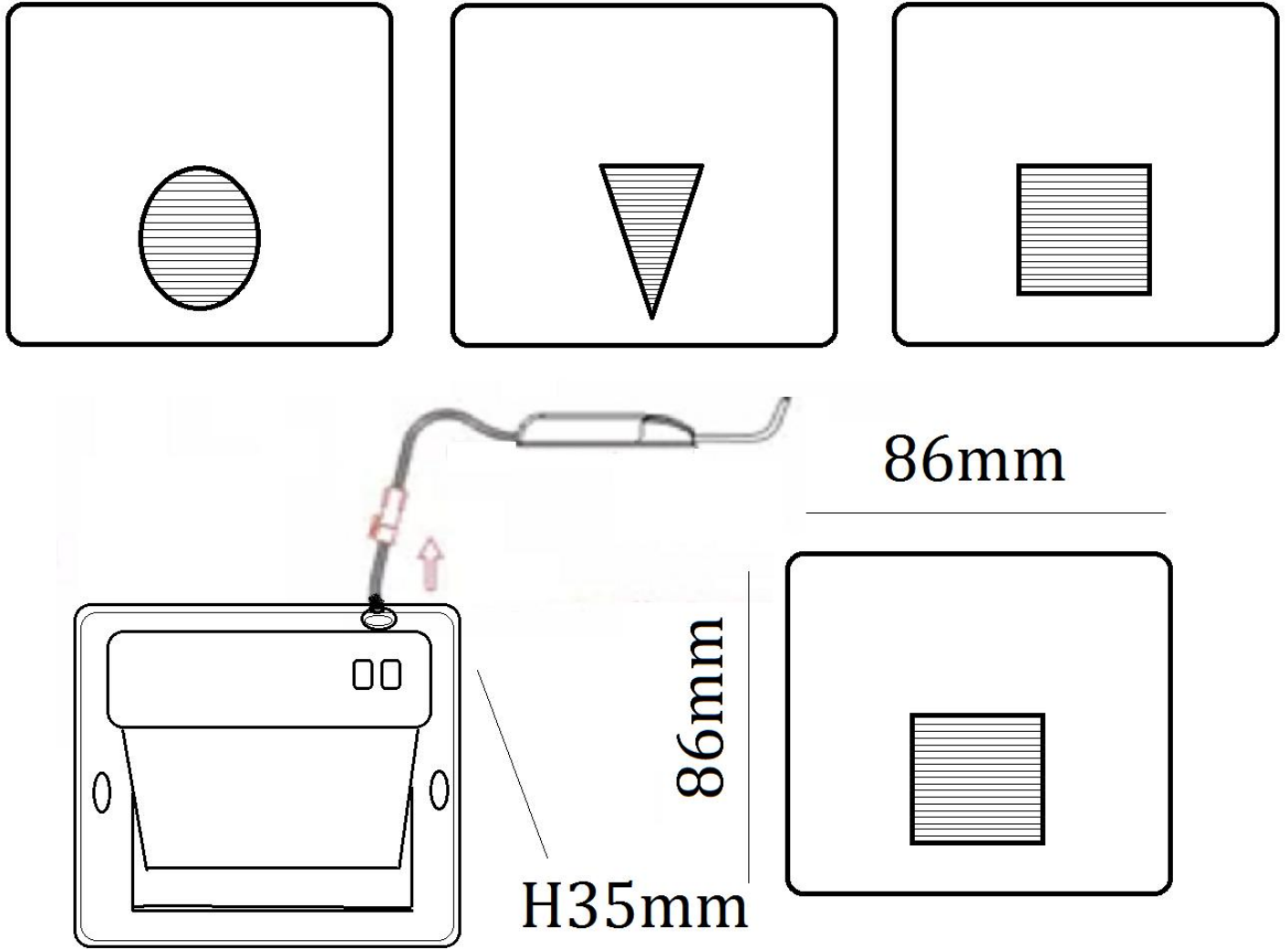
1. Aluminum integrated, waterproof, rust proof, dust proof, beautiful and durable
2. Thick material, good heat dissipation, durable, safe and reliable
3. Creative ladder design, evenly disperse light, reveal light and shadow, soft and not glare

Application

Suitable for staircase, bedroom, washroom, hotels, bed lamps, etc.



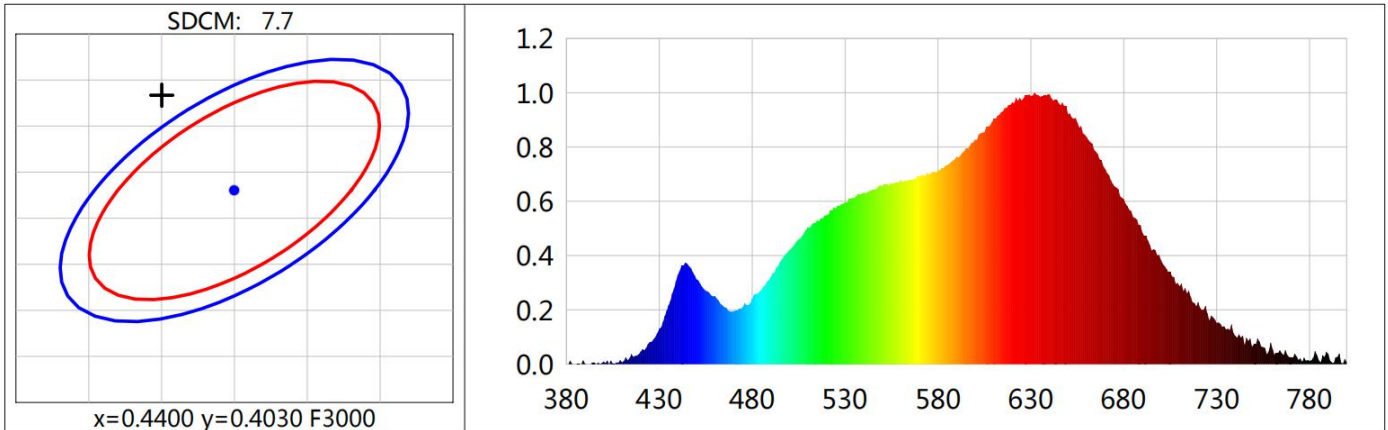
Size Diagram



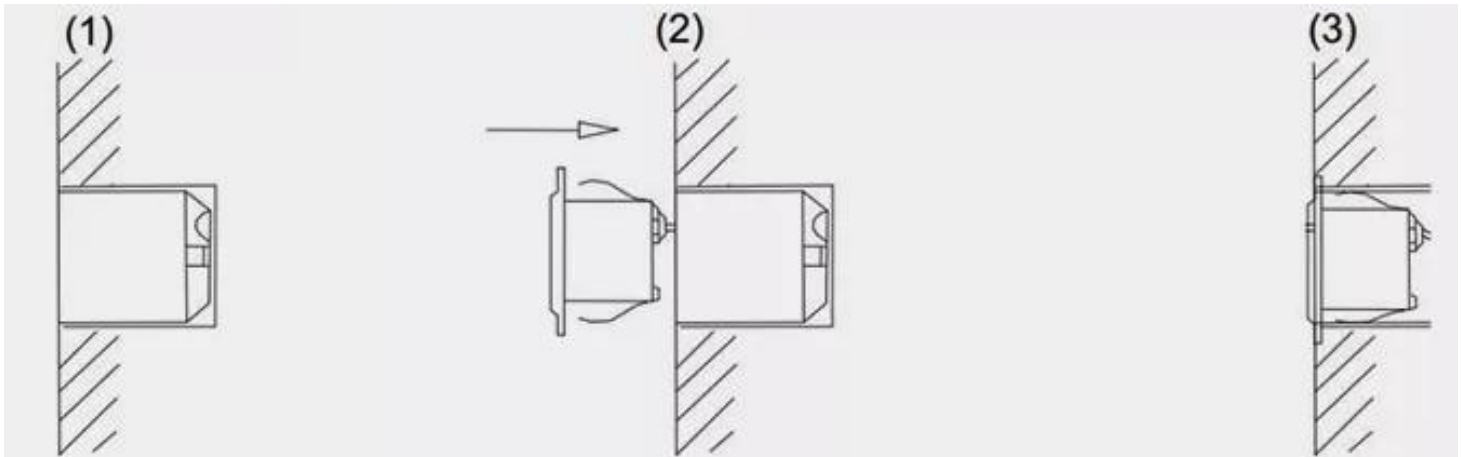
Product Parameter

Item No.	Description	Output	Body Color	Beam angle	CCT	Watt	Size(mm)
Q8 triangle/01	Aluminum, 90 lm/w, 85-265V, 90RA, 3 years warranty	2-5V	WH/BK/GY	90°	3000K/4000K	3W	86×86×35
Q6 circular/01	Aluminum, 90 lm/w, 85-265V, 90RA, 3 years warranty	2-5V	WH/BK/GY	120°	3000K/4000K	3W	86×86×35
Q9square/01	Aluminum, 90 lm/w, 85-265V, 90RA, 3 years warranty	2-5V	WH/BK/GY	145°	3000K/4000K	3W	86×86×35

Light Distribution



Installation



1. Drill holes at the installation site according to the embedded parts, and embed the embedded parts into the wall, keeping the edge of the embedded parts and the wall at the same level.
2. Connect the luminaire to the cable, leaving enough length for future maintenance.
3. Put the lamp into the embedded part and tighten the screws, light on and test.

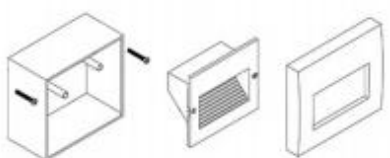
Note:

1. Use the correct input voltage;
2. Cut off the power supply before installation and maintenance;
3. Do not disassemble the lamps at will, otherwise the lamps will not be waterproof;
4. The waterproof level of the cable interface must reach IP65 or above;
5. Do not install in very humid areas or near cables, water or gas pipes.

Steps:

1. Turn off the power supply first before replacing the lamp.
2. When installing LAMP, please INDICATE THE WIRES carefully
3. Terminal block not included.
4. Installation must be performed by a qualified person.

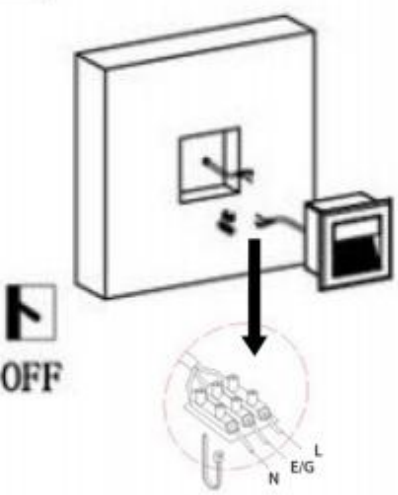
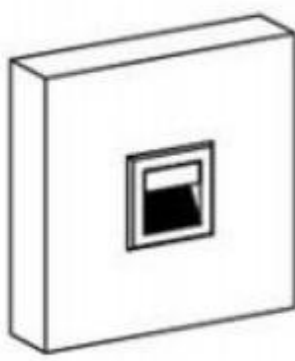
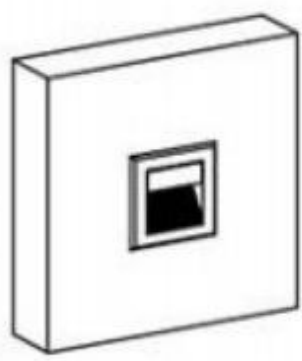
■ Product Characteristic Parameters

	<ol style="list-style-type: none"> 1. nominal voltage: AC220-240V 2. rated power: LED 3W 3. level of protection: IP20
---	--

■ Product Components And Use The Tools

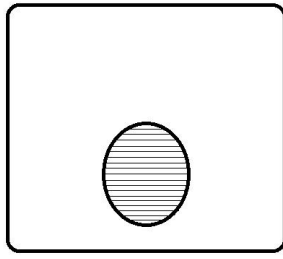
 <p>← The Lamp Body</p> <p>← Embedded Part</p>		 <p>Screwdriver</p>
---	--	--

■ Product Components And Use The Tools

<p>A</p>  <p>OFF</p>	<p>B</p>  <p>B: It is necessary to tighten the embedded parts</p>	<p>C</p>  <p>ON</p> <p>C: Switch on the power and test the lamp</p>
--	--	--

Package Information

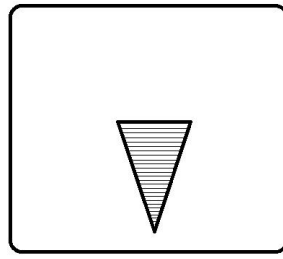
Item No.	Beam angle	Watt	Size	Box Size(cm)	QTY/CTN	Carton(cm)
Q8 triangle/01	90°	3W	86×86×35mm	10*4*10 cm	100	53*22*43
Q6 circular/01	120°	3W	86×86×35mm	10*4*10 cm	100	53*22*43
Q9square/01	145°	3W	86×86×35mm	10*4*10 cm	100	53*22*43



↓ color box



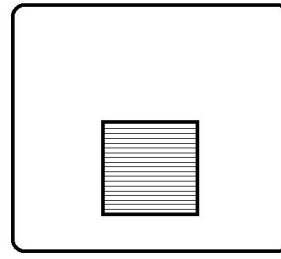
↓ carton



↓ color box



↓ carton



↓ color box



↓ carton



SAFETY:

1. Before starting the installation, please ensure the power off.
2. Be sure to connect ground lead.
3. This kind of lamp for indoor use only.
4. If you need any more information contact the seller.
5. In case wire damage or holder contact seller.
6. This product is made of aluminum, iron.

Matters Need Attention:

1. The lamps should be installed or maintained by a professional electrician
2. Check whether the power switch is off
3. Please read this installation instruction carefully before installing the lamp