

## LED DOWN LIGHT

SL-WX-DL7W/SL-WX-DL20W



COLOUR: CCT 3000K/4000K/6500K



Bright light



No stroboscopic



Long service life



No stroboscopic



Photoelectric  
integration



High color  
rendering



Multiple color  
temperatures



Good heat  
dissipation

## Application

Mall Lighting, Home Lighting, Office Lighting, residential, villa, hotel, cafe, bar, club, etc



## Features

1. Light body by better treatment, pressure, abrasion resistance, corrosion resistance.
2. Lamp chip using high brightness chip, fully automatic packing technology.
3. High stability, good color rendering, high photosynthetic efficiency.
4. Better PC material, good toughness and high strength.
5. High purity aluminum reflecting cover, high efficiency reflection, no oxidation fade.
6. Long life span of over 50,000 hours by normal use

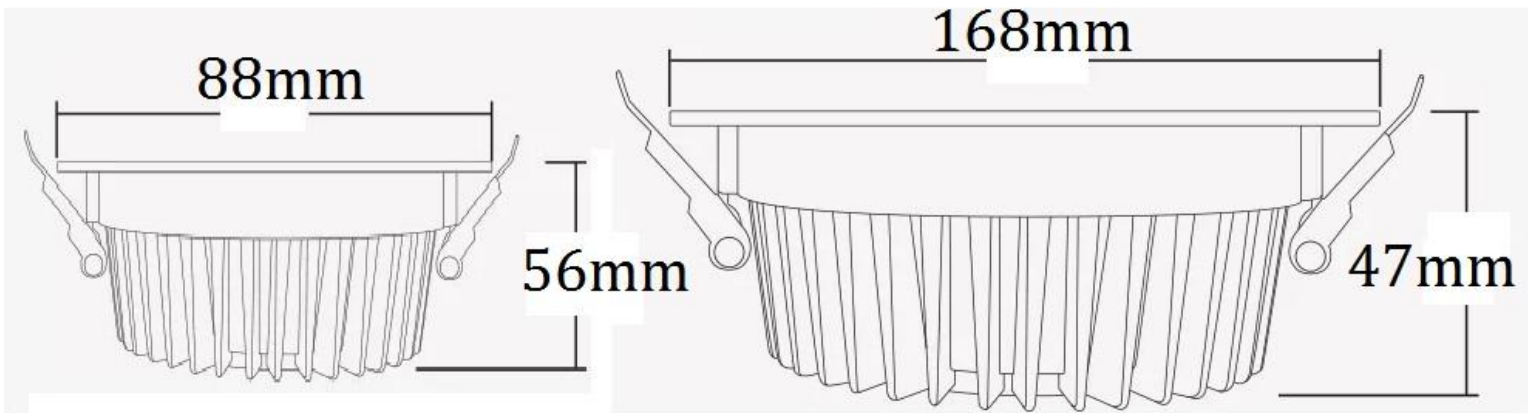
## COB Chip Highlight and Durable

Original factory package chip, high quality LED lamp selection

- High Color rendering index
- High brightness
- Long life



## Size Diagram

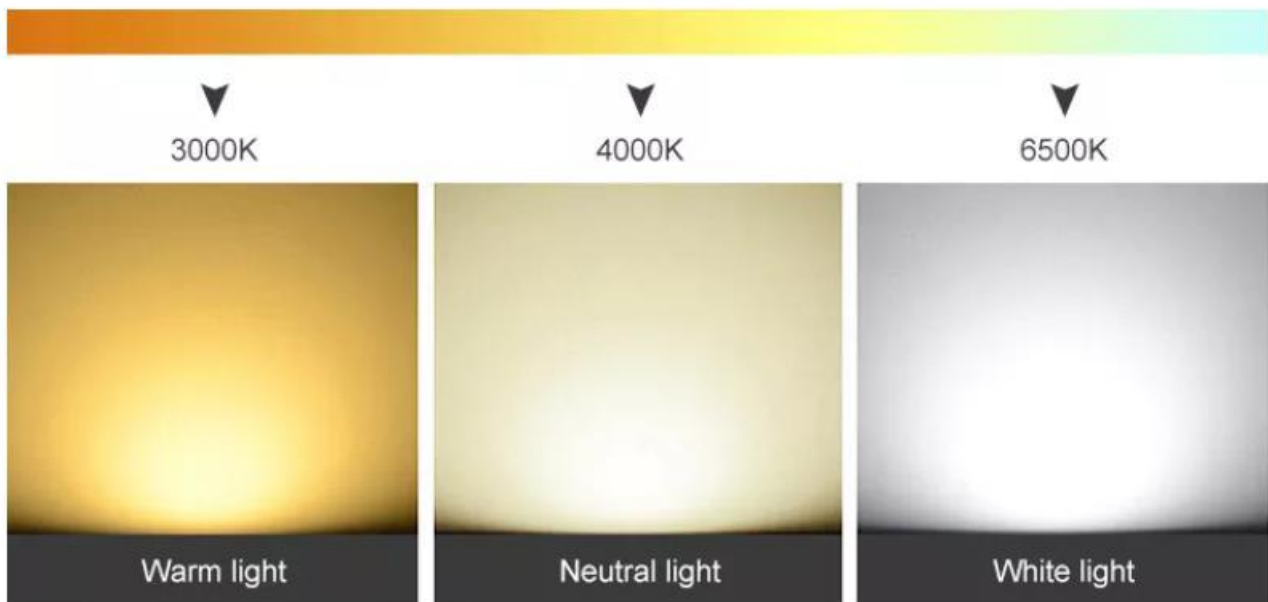


Power: 7W  
Hole Size: 70mm

Power: 20W  
Hole Size: 145mm

## Product Parameter

Item NO.	CCT	Watt	Detail	Size(mm)	Cut Size	Beam angle
SL-WX-DL7W	3000K	7W	Isolated driver 85-265v, PF $\cong$ 0.5 Input wire: 0.2 m <sup>2</sup> Output wire: 0.2 m <sup>2</sup> 1428" chips, 100-130LM/W Ra $\cong$ 80, 3 years warranty	88*56	70mm	30-40°
SL-WX-DL7W	4000K	7W		88*56	70mm	30-40°
SL-WX-DL20W	6500K	20W		168*47	145mm	60°
SL-WX-DL20W	4000K	20W		168*47	145mm	60°
SL-WX-DL20W	3000K	20W		168*47	145mm	60°

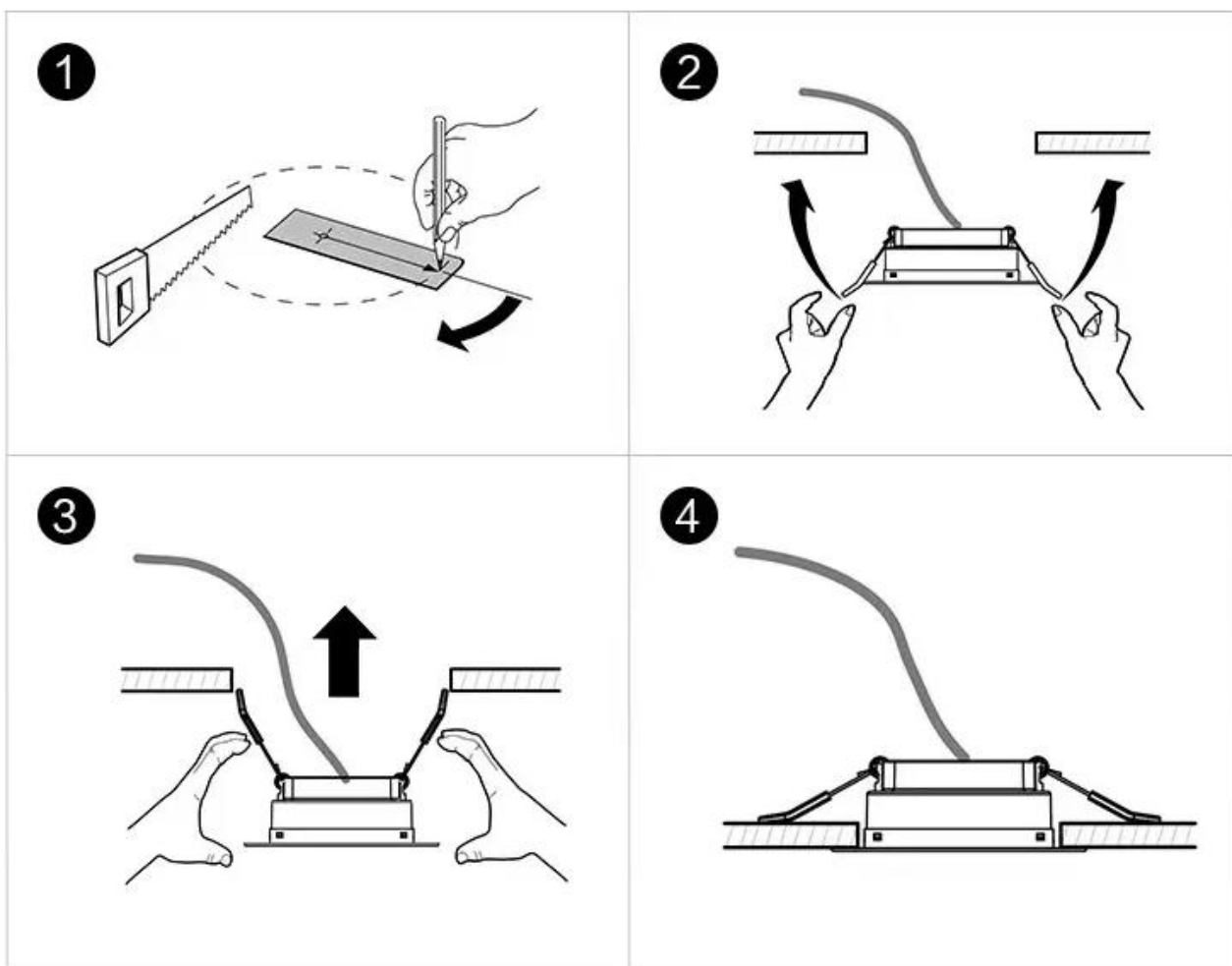


## Installation

-Method of attachment of the cable or cord such that it cannot be replaced without breaking or destroying the luminaire.

-The external flexible cable or cord of this luminaire cannot be replaced. If the cord is damaged, the luminaire shall be destroyed.

-Statement for non-user replaceable



Firstly, Turn OFF the power to install the lamp.

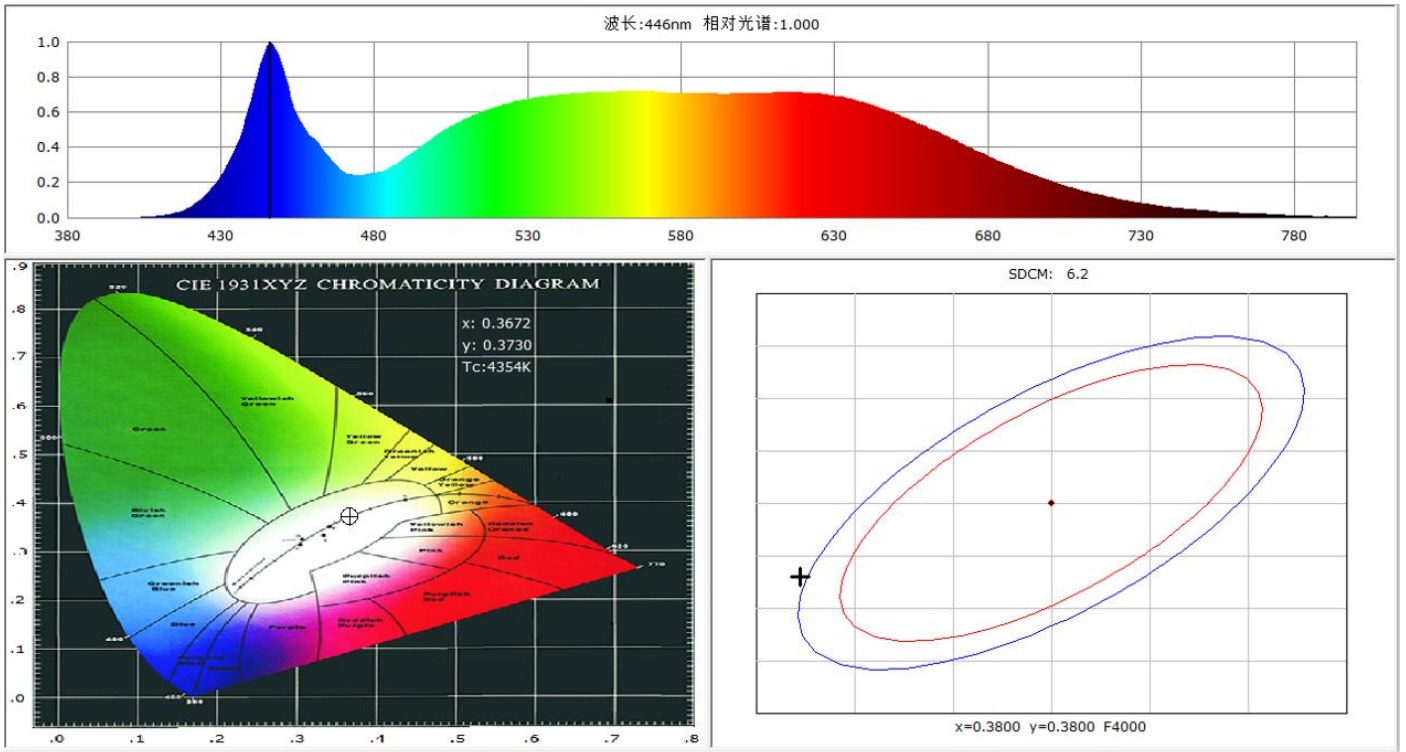
Sept I: Make a hole accorded the size of the lamp on the ceiling.

Sept II: Power off the power supply.

Sept III: Connect the cable between the lamp and the power.

Sept IV: Make the springs up and put the lamp inside the hole.

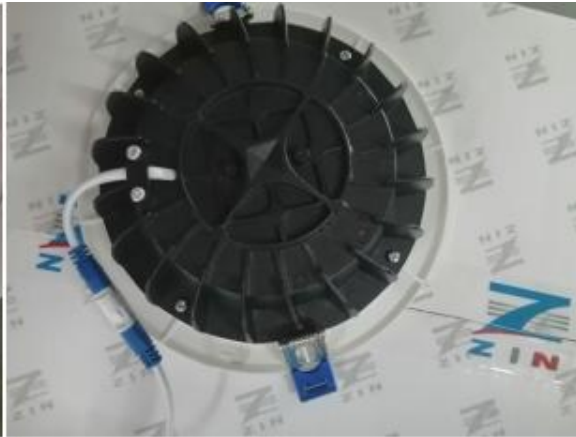
## Light Distribution



## Package Information

Item NO.	Watt	Size(mm)	Cut Size	QTY/CTN	Carton(cm)
SL-WX-DL7W	7W	88*56	70mm	50pcs	57.5*32.5*24
SL-WX-DL7W	7W	88*56	70mm	50pcs	57.5*32.5*24
SL-WX-DL20W	20W	168*47	145mm	30pcs	56.5*31.5*38.5
SL-WX-DL20W	20W	168*47	145mm	30pcs	56.5*31.5*38.5
SL-WX-DL20W	20W	168*47	145mm	30pcs	56.5*31.5*38.5





## WARNING!!

1. To avoid the risk of fire, explosion, or electric shock, this product should be installed, inspected, and maintained by a qualified electrician only, in accordance with all applicable electrical codes.
2. Be certain electrical power is OFF before and during installation and maintenance.
3. The light source contained in this luminaire shall only be replaced by the manufacturer or his service agent or a similar qualified person.
4. Caution, risk of electric shock.
6. IP20 can be used indoor only.
7. Shall be installed out of arms reach.